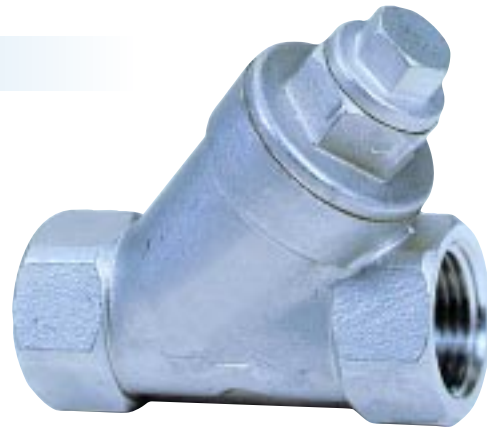


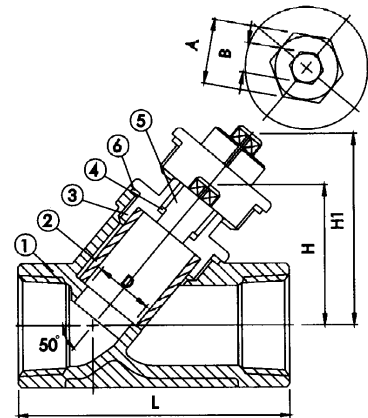
FEATURES

- Investment casting body and cap
- Maximum Pressure 300 psi (20 BAR)
- Maximum working temperature 446°F (230°C)
- Thread ends conform to ANSI B2.1, BS21, DIN259/2999 standard



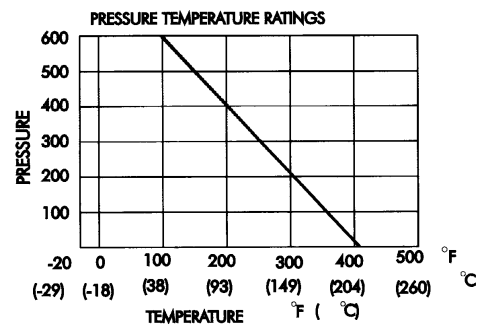
SPECIFICATIONS AND INFORMATION

ITEM	PARTS	MATERIALS
1	BODY	ASTM-A351-CF8M
2	SCREEN	ASTM-A351-CF8M
3	BONNET	ASTM-A351-CF8M
4	PACKING	PTFE
5	PLUG	AISI 316
6	JOINT GASKET	PTFE



NOMINAL SIZE	D	L	H	H1	A	B	Ogontz P/N
1/4"	0.39"	2.24"	1.37"	1.77"	0.62"	0.31"	OYS-SS-0025
3/8"	0.39"	2.24"	1.37"	1.77"	0.62"	0.31"	OYS-SS-0375
1/2"	0.59"	2.36"	1.49"	2.00"	0.62"	0.31"	OYS-SS-0050
3/4"	0.78"	2.71"	1.65"	2.16"	0.62"	0.31"	OYS-SS-0075
1"	0.98"	3.34"	1.96"	2.59"	0.81"	0.39"	OYS-SS-0100

All dimensions are given in millimeters.



THE OGONTZ GUARANTEE

We will repair or replace on a no-charge basis, F.O.B. Willow Grove, PA, units returned to us within 18 months if found to be defective in material or workmanship.



Ogontz has a policy of continuous product research and improvement, and reserves the right to change design and specifications without notice.

2835 Terwood Road • Willow Grove, PA 19090
 TEL: 215.657.4770 • 1-800-523-2478 • FAX: 215.657.0460
 E-mail: info@ogontz.com • Website: www.ogontz.com